



PZ-UT32V Series

Frame Core Chokes for Power Lines
 Web: <http://www.dgpinzhan.com>
 E-mail: sales@dgpinzhan.com

Created

Checked

Type

Date

Version

Page

Tom

Justin

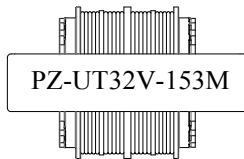
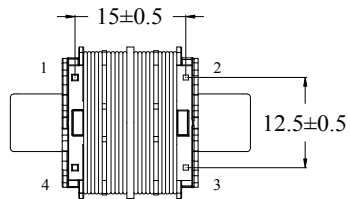
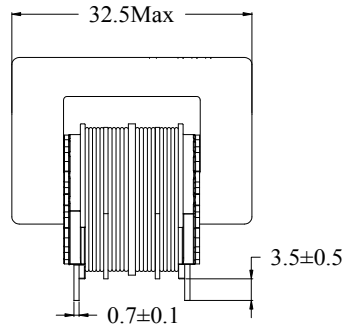
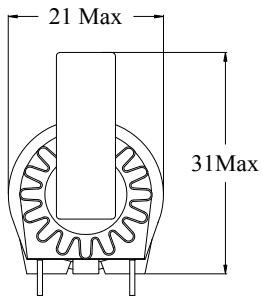
DIP

2020/4/15

A001

1

1. Dimensions: [mm]



4. General Properties:

It is recommended that the temperature of the component does not exceed +125°C under worst case conditions.

Storage Temperature:	-20 °C up to +60 °C
Operating Temperature:	-40 °C up to +125 °C

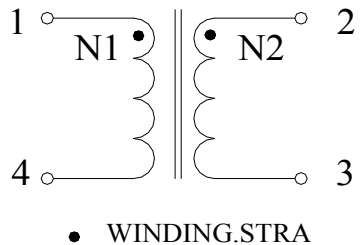
Temperature Rise < 55K.

Test conditions of Electrical Properties: +20°C, 33% RH if not specified differently.

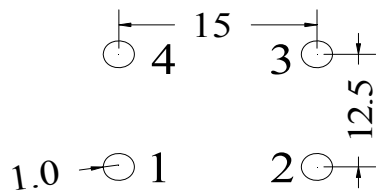
5. Electrical Properties:

Part Code	Inductance	Test condition	DC-Resistance	Rated Current	TDK Cord
PZ-UT32V-332M	3.3mH	10KHZ/0.05V	65mΩ Ref	4.5A Max	B82734R2701B030
PZ-UT32V-682M	6.8mH	10KHZ/0.05V	105mΩ Ref	3.2A Max	B82734R2132B030
PZ-UT32V-103M	10.0mH	10KHZ/0.05V	130mΩ Typ	2.6A Max	B82734R2142B030
PZ-UT32V-153M	15.0mH	10KHZ/0.05V	185mΩ Typ	2.3A Max	B82734R2172B030
PZ-UT32V-203M	20.0mH	10KHZ/0.05V	240mΩ Typ	2.0A Max	B82734R2202B030
PZ-UT32V-273M	27.0mH	10KHZ/0.05V	320mΩ Typ	1.7A Max	B82734R2232B030
PZ-UT32V-393M	39.0mH	10KHZ/0.05V	460mΩ Typ	1.4A Max	B82734R2262B030
PZ-UT32V-473M	47.0mH	10KHZ/0.05V	560mΩ Typ	1.3A Max	B82734R2322B030
PZ-UT32V-683M	68.0mH	10KHZ/0.05V	1450mΩ Typ	0.7A Max	B82734R2462B030

2. Schematic:



3. PCB Layout Ref(mm)



*** Acceptable customers design custom**

5.1 Rated current: IR at 50 Hz and TA = 40 °C

5.2 Rated voltage: 250 V AC

5.3 Excellent differential-mode suppression

5.4 Inductance tolerance -30/+50%.